

VISIANO 10-1 P S10

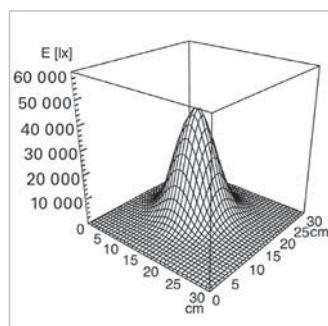
TECHNICAL DATA

FITTED WITH	1 x LED module
LUMINOUS POWER	50 000 Lux / 0,5 m *
ILLUMINANCE FIELD 0,5 M	Ø 18 cm *
COLOR RENDERING INDEX	CRI > 93
COLOR TEMPERATURE	4400 K *
WORK EQUIPMENT	Electronic converter
CONNECTED LOAD	220-240 V; 50/60 Hz
MAINS LEAD	1,8 m
LUMINAIRE BODY	polybutylene terephthalate + polycarbonate PBT + PC
WEIGHT (NET)	1,1 kg
POWER CONSUMPTION	13 W
USAGE	Rocker switch (I/O) on arm
BALANCE OF ARTICULATION JOINTS	Friction
CLASS OF PROTECTION	II
ACCESSORY	Roller stand, rail mount with removal guard, table clamp with removal guard, universal mount with removal guard, extension arm with removal guard, wall mount with removal guard
NORMS	EN 60601-1, EN 60601-2-41
SPECIAL FEATURES	with handle
FASTENING	Rail, table, wall
ORDER NUMBER	D15.732.000 - pure white - Euro

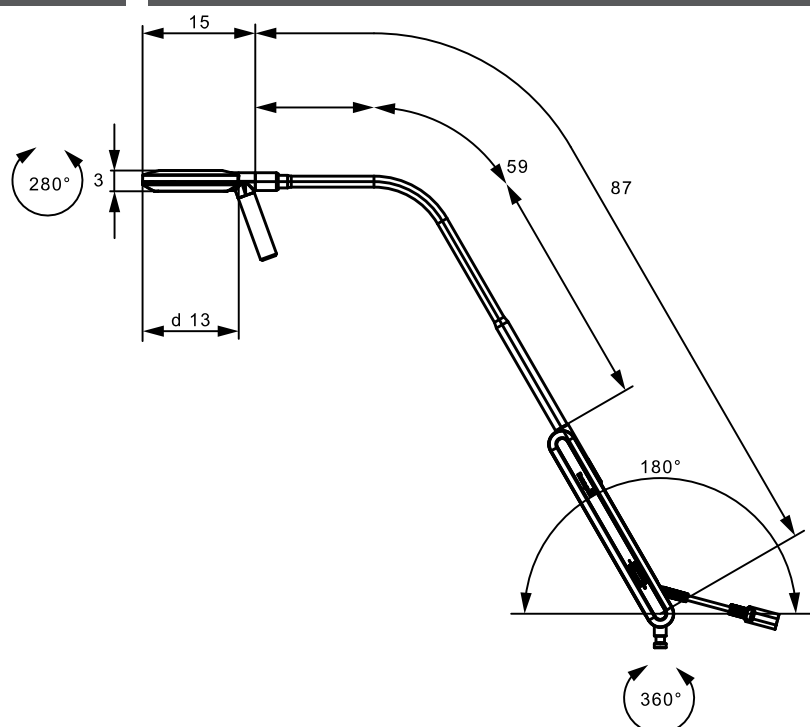
EXAMINATION LIGHTS



LIGHT DISTRIBUTION



TECHNICAL DRAWING



* -10% / +20% tolerance